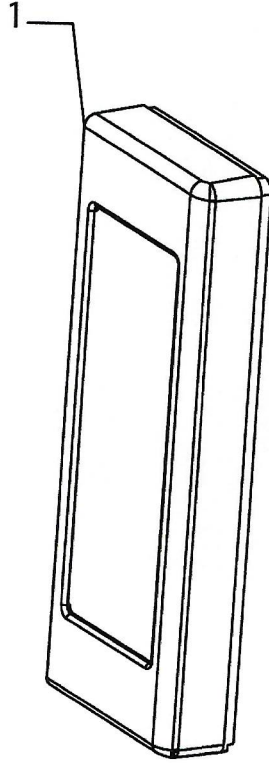


Exploded view MMS510TS

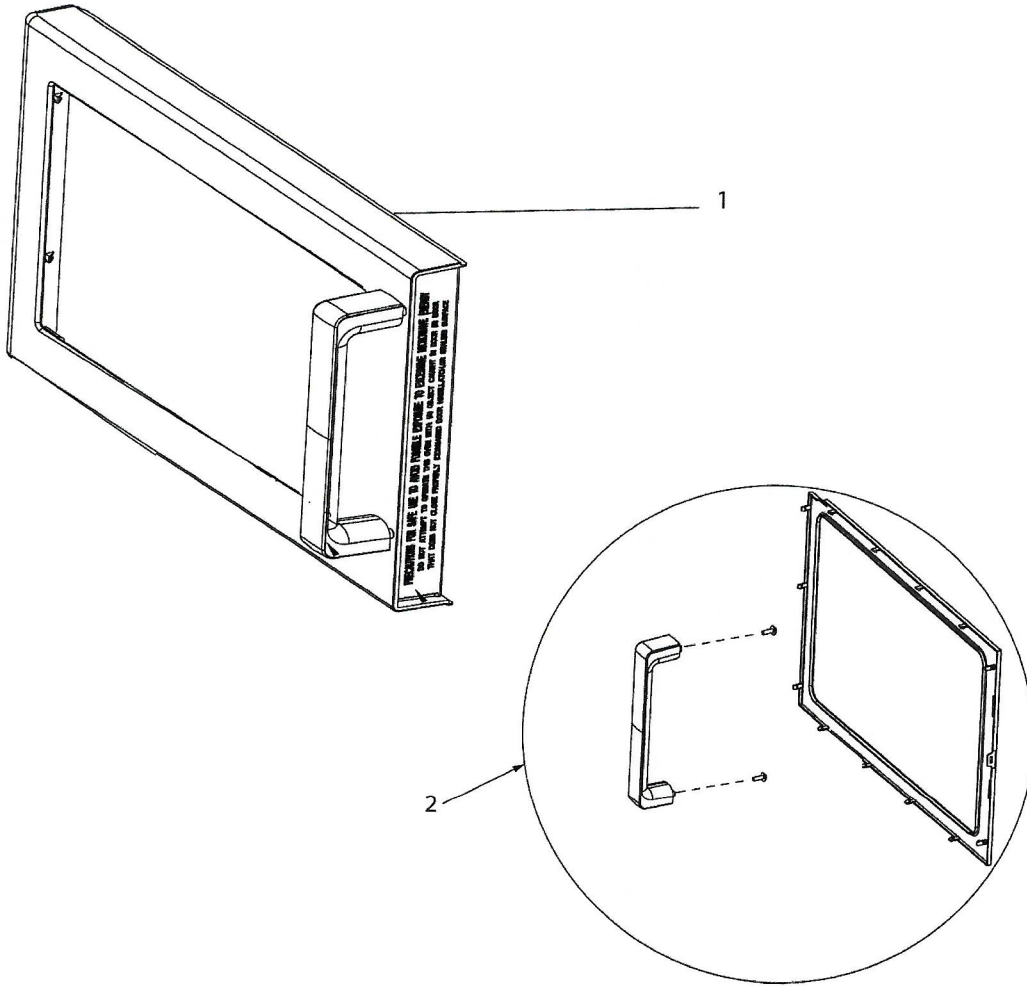
CONTROL ASSY



CONTROL ASSY

Ref #	Part #	Part Name	Quantity	Type	Sub
1	58161101	CONTROL ASSY	1	F	

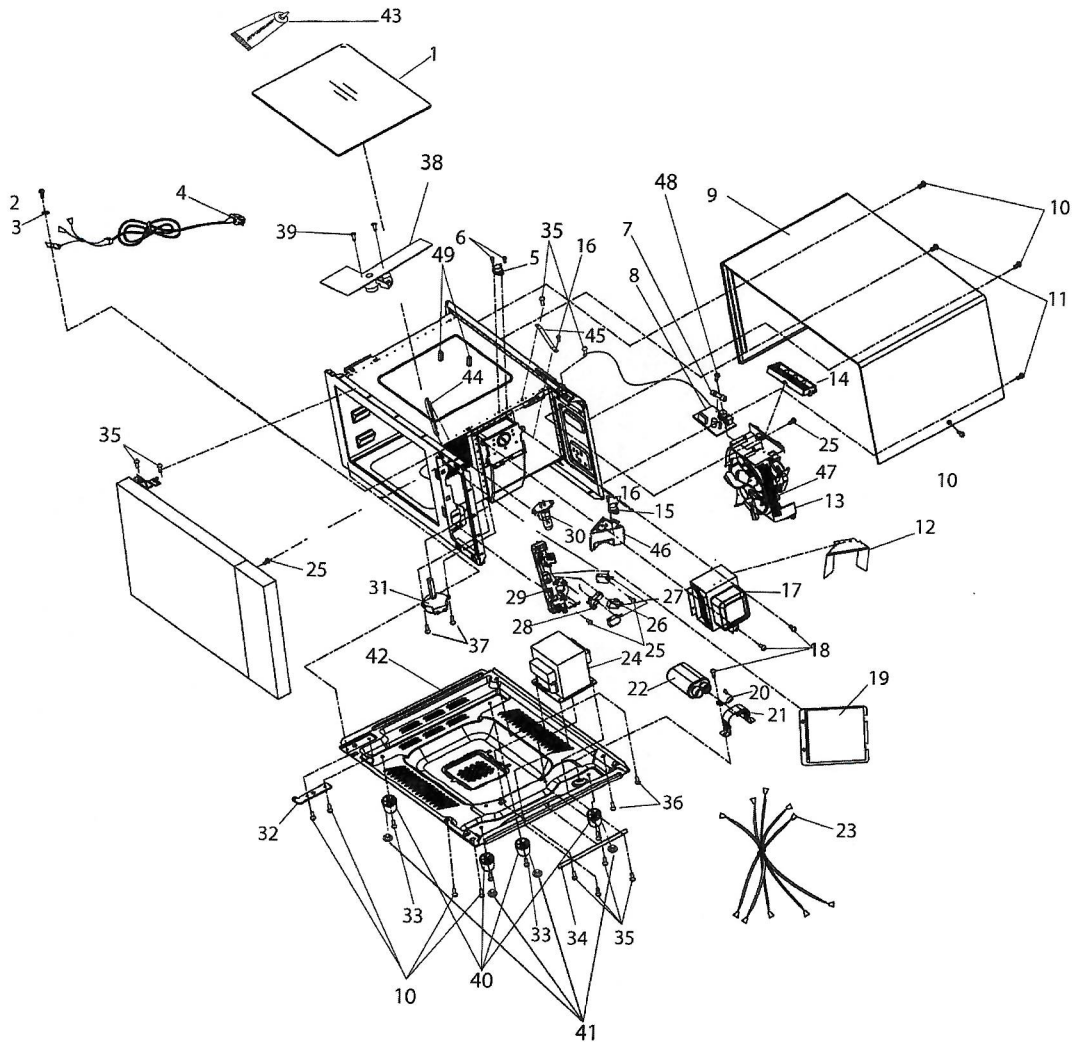
DOOR



Section: DOOR ASSY

Ref #	Part #	Part Name	Quantity	Type	Sub
1	58161095	DOOR ASSY- MM	1	F	
1	58191109	KIT, DOOR HANDLE	1	None	

OVEN CAVITY



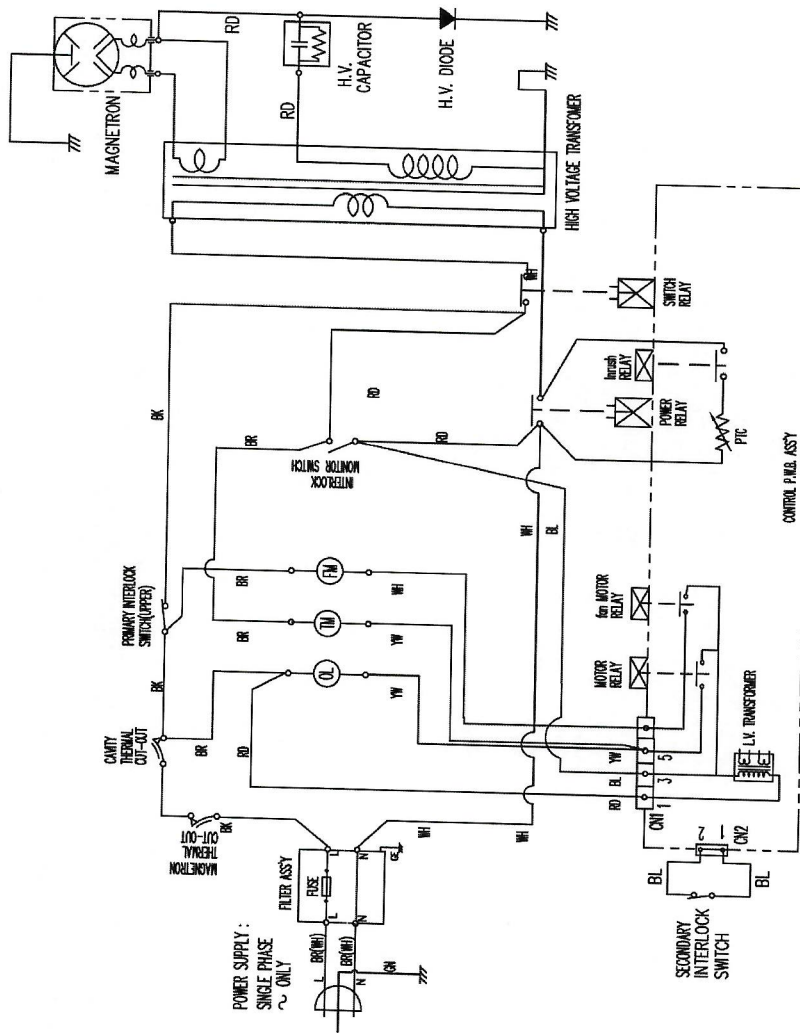
16300134

3-1

Section: OVEN CAVITY

Ref #	Part #	Part Name	Quantity	Type	Sub
1	58101001	TRAY, CERAMIC	1	F	
2	58101047	SCREW	1		
3	58101051	WASHER, LOCK	1		
4	58101026	POWER CORD	1	F	
5	58101029	THERMAL CUTOUT, CAVITY	1	F	
6	58101041	SCREW	2		
7	58101065	FUSE	1	F	M0805107
8	58101021	FUSE BLOCK / FILTER ASSY	1	F	
9	58101059	WRAPPER	1	0	
10	58101044	SCREW	3		
11	58101068	SCREW-TX	2		
12	58101040	DEFLECTOR	1	0	
13	58161098	BLOWER MOTOR ASSY	1	F	
14	58101033	SPACER	1		
15	58101031	THERMAL CUTOUT, MAG	1	F	
16	58101041	SCREW	2		
17	53002004	MAGNETRON	1	F	
18	58101047	SCREW	2		
19	58101060	GUIDE, AIR- RIGHT	1	0	
20	56001436	DIODE	1	F	
21	58101057	BRACKET, CAPACITOR	1	0	
22	58101018	CAPACITOR, .95	1	F	
23	58101036	HARNESS, MAIN	1	F	
24	58101016	TRANSFORMER, HV	1	F	
25	58101045	SCREW	2		
26	59002157	SWITCH, MONITOR	1	F	
27	56001036	SWITCH, INTERLOCK- PRIMARY	2	F	
28	58101035	LEVER	1		
29	58101034	BRACKET, SWITCH	1		
30	58101023	LAMP	1	0	
31	58101052	MOTOR, ANTENNA	1	F	
32	58101066	BRACKET, HINGE	1	0	
33	58101043	SCREW	4		
34	59004077	GASKET, PER FT	1	None	
35	58101047	SCREW	4		
36	58101044	SCREW	4		
37	58101050	SCREW	2		
38	58151091	BLADE, STIRRER	1	F	
39	54116064	RIVET ASSY	2		
40	58101003	FOOT	4		
41	58101004	PLUG, FOOT	4		
42	58101002	BASEPAN	1	0	
43	59002167	SEALER	1	F	
44	58101039	BRACKET, SUPPORT	1	0	
45	58101067	BRACKET, SUPPORT - MAG	1	0	
46	58101038	DUCT, AIR	1	0	
47	A3030374	GASKET	2		
48	58101049	SCREW	1		
49	58101069	SPACER	2		

WIRING DIAGRAM



- [CONDITION]
 DOOR : CLOSED
 COOK : OFF
- NOTE :
- ⊙ : OVEN LAMP
 - ⊙ : FAN MOTOR
 - ⊙ : TRAY MOTOR
- BK : BLACK
 - RD : RED
 - WH : WHITE
 - YW : YELLOW
- BL : BLUE
 - BR : BROWN
 - GN : GREEN
 - GE : YELLOW/GREEN