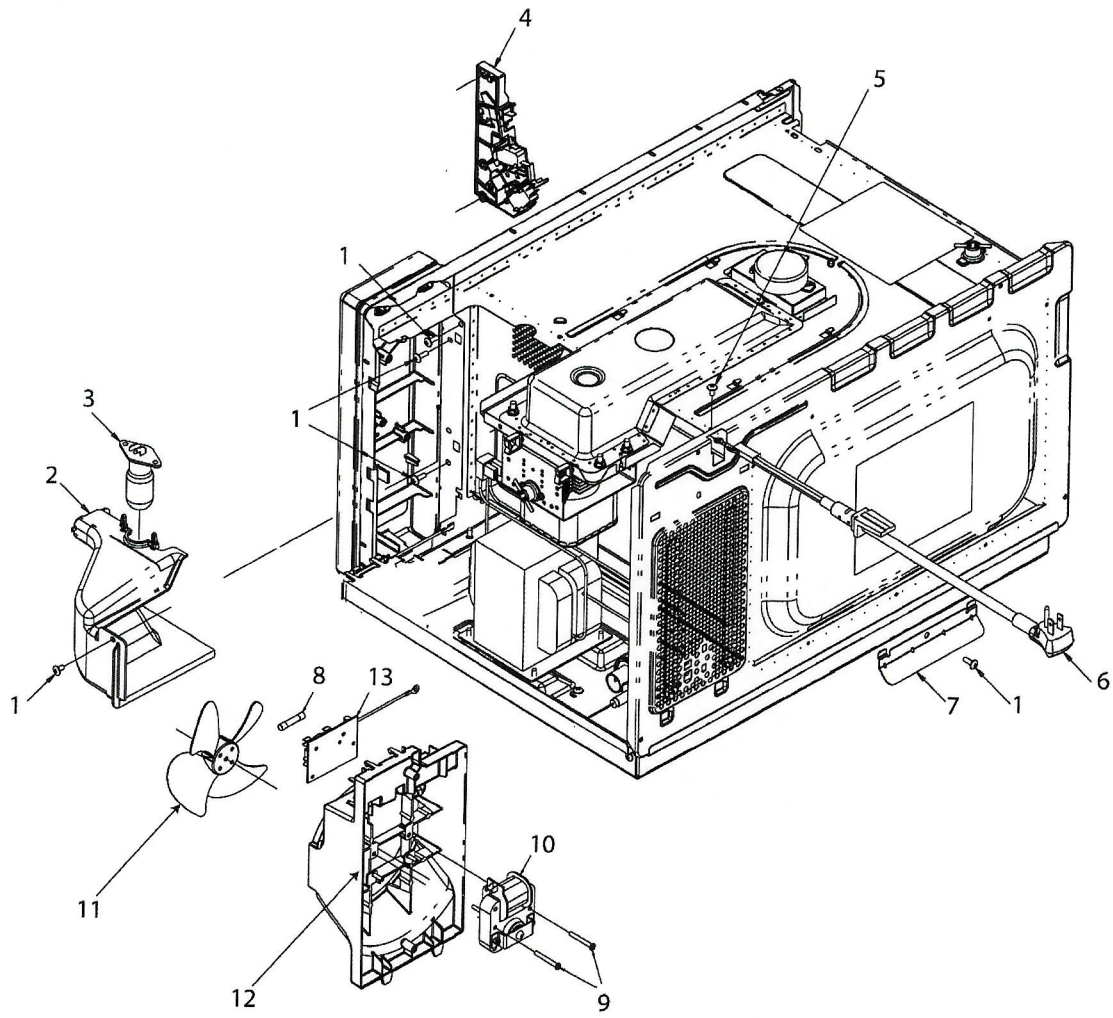


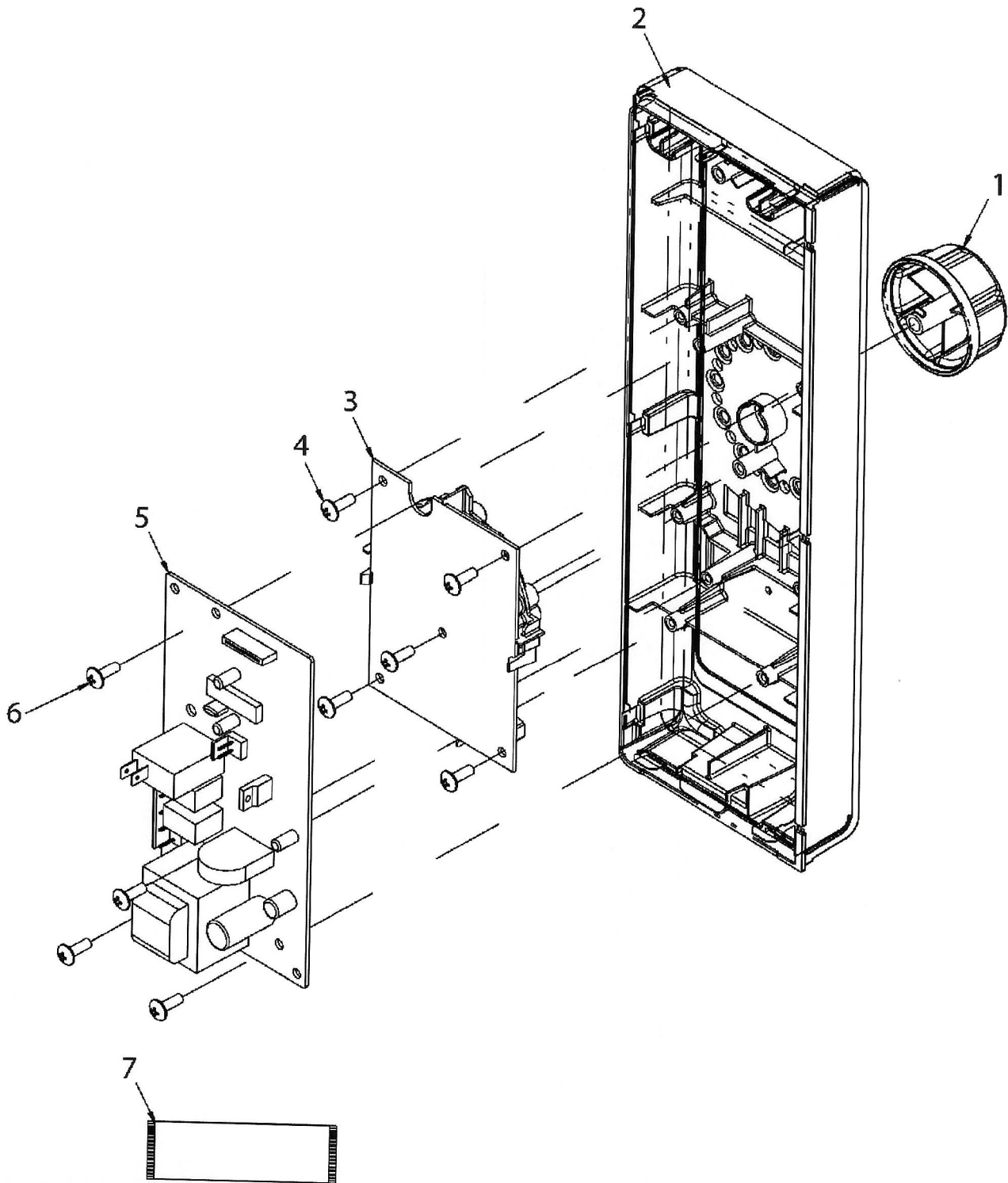
Exploded view RCS511DSE



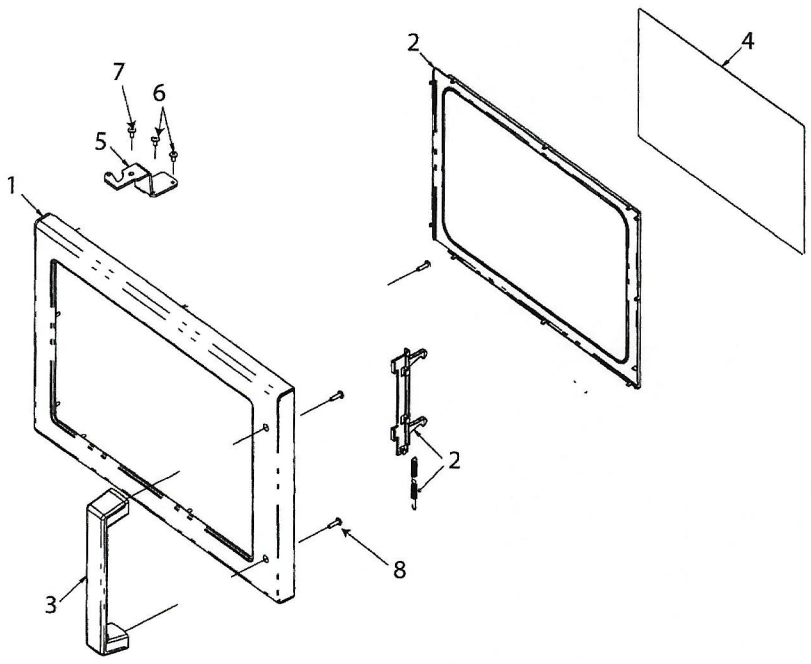
Section: BLOWER / INTERLOCK

Ref #	Part #	Part Name	Quantity	Type	Sub
1	20275402	SCREW- METRIC/TRUSS	5	None	
2	54127039	DUCT, AIR	1	None	
3	56002007	LAMP / SOCKET ASSY	1	F	
4	54127052	SWITCH, INTERLOCK ASSY	1	F	
5	20275405	SCREW- METRIC/TRUSS	1	None	
6	54127050	POWER CORD	1	F	20243501
7	54127040	BRKT, INLET AIR	1	None	
8	20034003	FUSE, 20 A	1	F	
9	54127065	SCREW	2	None	
10	54127058	MOTOR, BLOWER & BLADE	1	F	
11	54127060	BLADE, FAN	1	None	
12	54127059	BRKT, BLOWER	1	None	
13	54127036	FUSE BLOCK/FILTER ASSY	1	F	

DIAL CONTROL

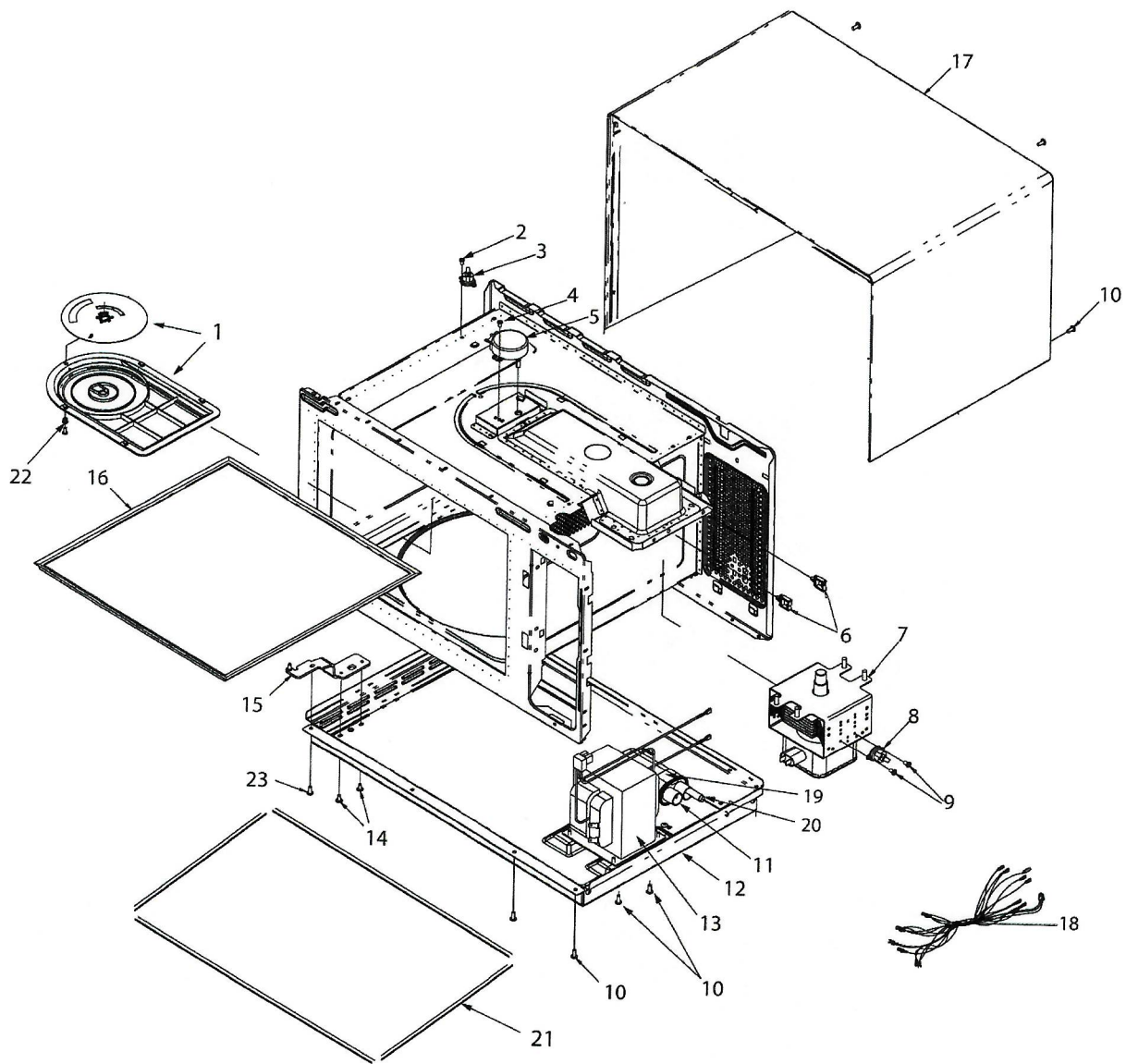


Ref #	Part #	Part Name	Quantity	Type	Sub
1	54127053	KNOB	1	None	
2	54127004	ESC/TOUCH PANEL ASSY	1	F	
3	54127054	BOARD, LED- GREEN	1	F	
4	54127067	SCREW	5	None	
5	54127034	BOARD, HV/LV	1	F	
6	54127067	SCREW	4	None	
7	54127032	HARNESS, PCB	1	F	



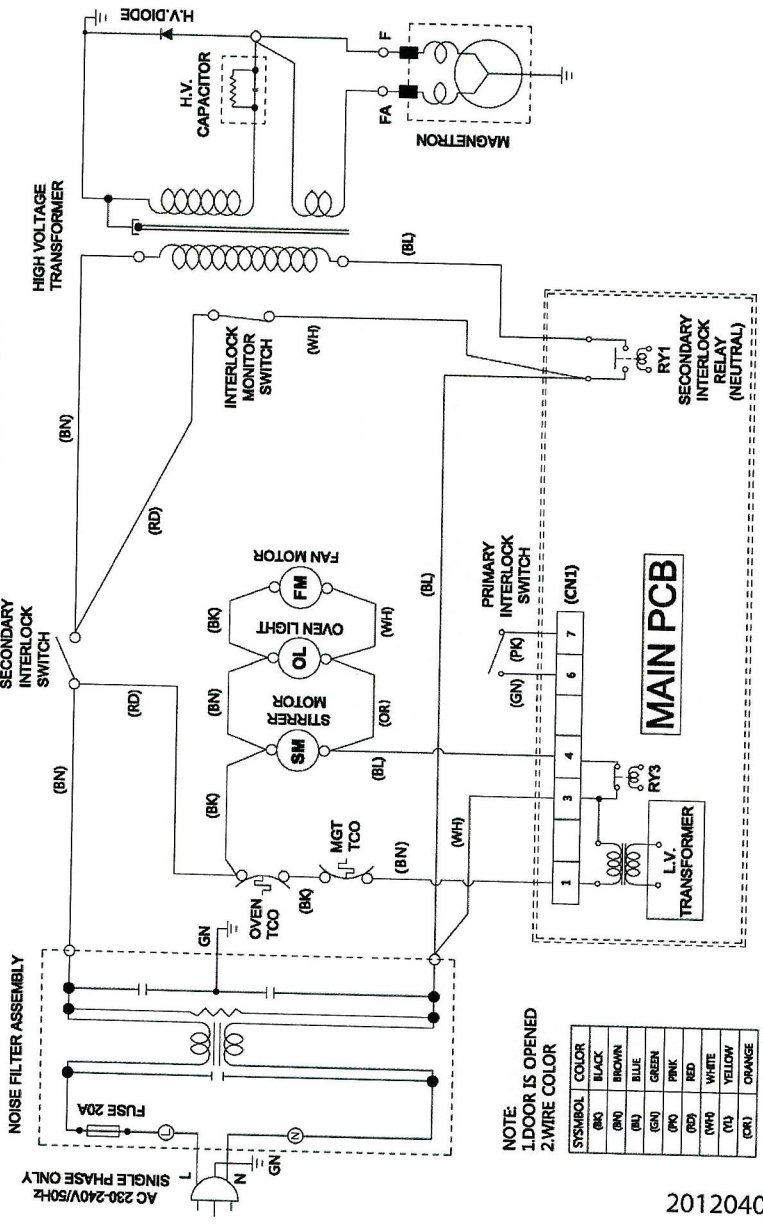
Section: DOOR

Ref #	Part #	Part Name	Quantity	Type	Sub
1	54157101	DOOR ASSY- MM	1	F	
2	14154101	KIT, SPRING/LATCH/CHOKE COVER	1	F	
3	14124069	KIT, DOOR HANDLE	1	None	
4	54127026	WINDOW, INNER	1	None	
5	54127028	HINGE, UPPER	1	None	
6	20280101	SCREW-METRIC/HEX	2	None	
7	20275406	SCREW-METRIC/TRUSS	1	None	
8	20275404	SCREW-METRIC/TRUSS	2	None	



Ref #	Part #	Part Name	Quantity	Type	Sub
1	12002625	KIT, COVER/STIRRER BLADE/RIVETS	1	F	
2	20275502	SCREW-METRIC/RD	1	None	
3	54127037	THERMAL CUTOUT, CAVITY	1	F	
4	20275505	SCREW-METRIC/RD	2	F	
5	54126033	MOTOR, ANTENNA	1	F	
6	B5667304	CLIP-WIRE	2	F	
7	59004010	MAGNETRON	1	F	
8	54116023	THERMAL CUTOUT, MAG	1	F	
9	20275506	SCREW-METRIC/RD	2	None	
10	20275401	SCREW- METRIC/TRUSS	11	None	
11	54127016	CAPACITOR, 1.20	1	F	
12	54127001	BASEPAN ASSY	1	None	
13	54127013	TRANSFORMER, HV	1	F	
14	20280101	SCREW-METRIC/HEX	2	None	
15	54127029	HINGE, LOWER	1	None	
16	54127018	TRAY, CERAMIC	1	None	
17	54127045	WRAPPER	1	None	
18	54127044	HARNESS, MAIN	1	F	20116901
19	53001724	BRACKET, CAPACITOR, BACK	1	F	20060901
20	20036801	DIODE, SLEEVED	1	F	
21	R0000413	GASKET, BASEPAN - 90 in (228 cm)	1	F	
22	54116064	RIVET ASSY	1		
23	20275406	SCREW- METRIC/TRUSS	1	None	

SCHEMATIC DIAGRAM



NOTE:
1. DOOR IS OPENED
2. WIRE COLOR

SYMBOL	COLOR
(BK)	BLACK
(BN)	BROWN
(BL)	BLUE
(GN)	GREEN
(PK)	PINK
(RD)	RED
(WH)	WHITE
(YL)	YELLOW
(OR)	ORANGE

BEFORE SERVICING
Discharge the high voltage capacitor by shorting the negative high voltage terminal of it to chassis ground